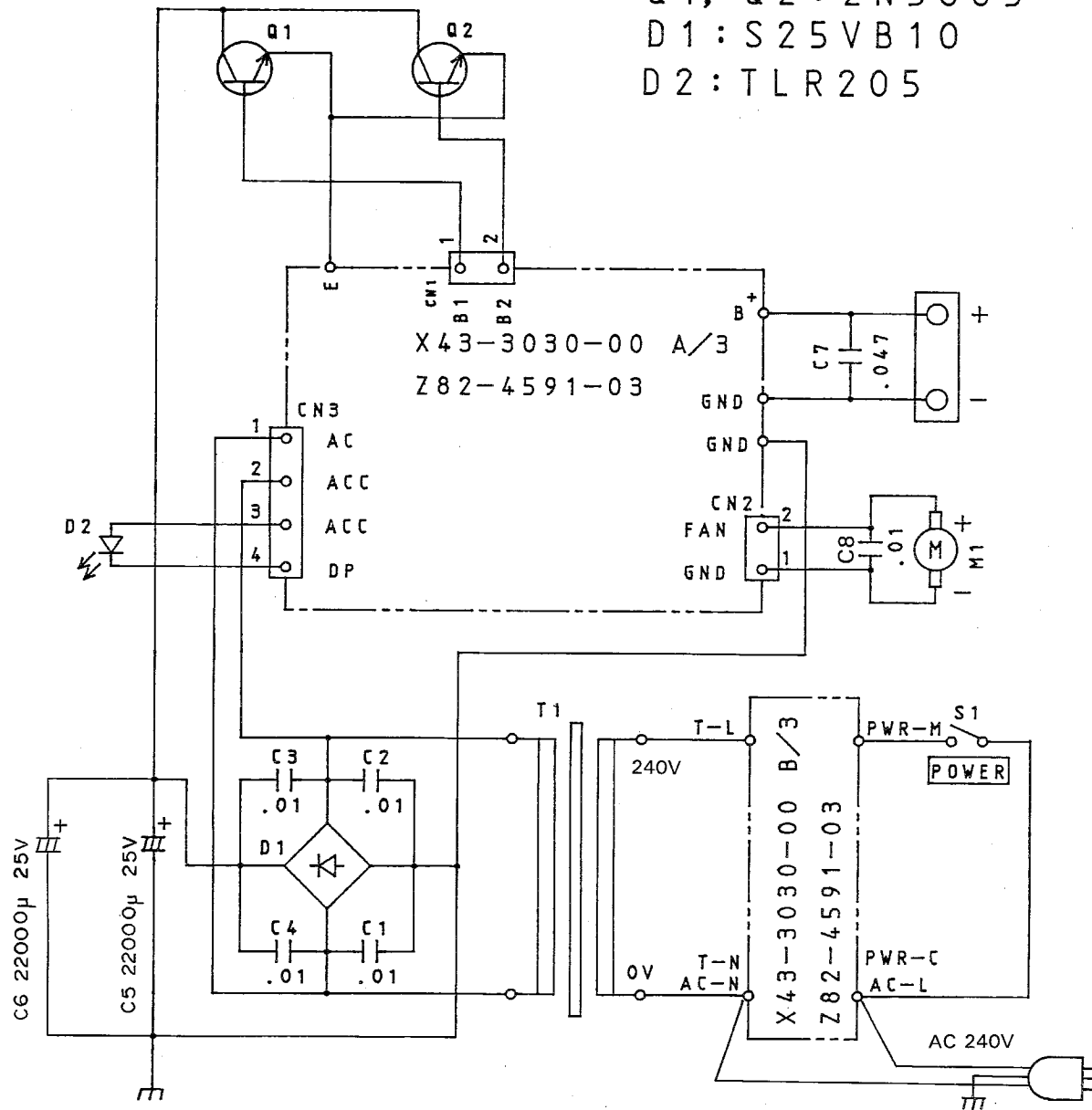


# CIRCUIT DIAGRAM

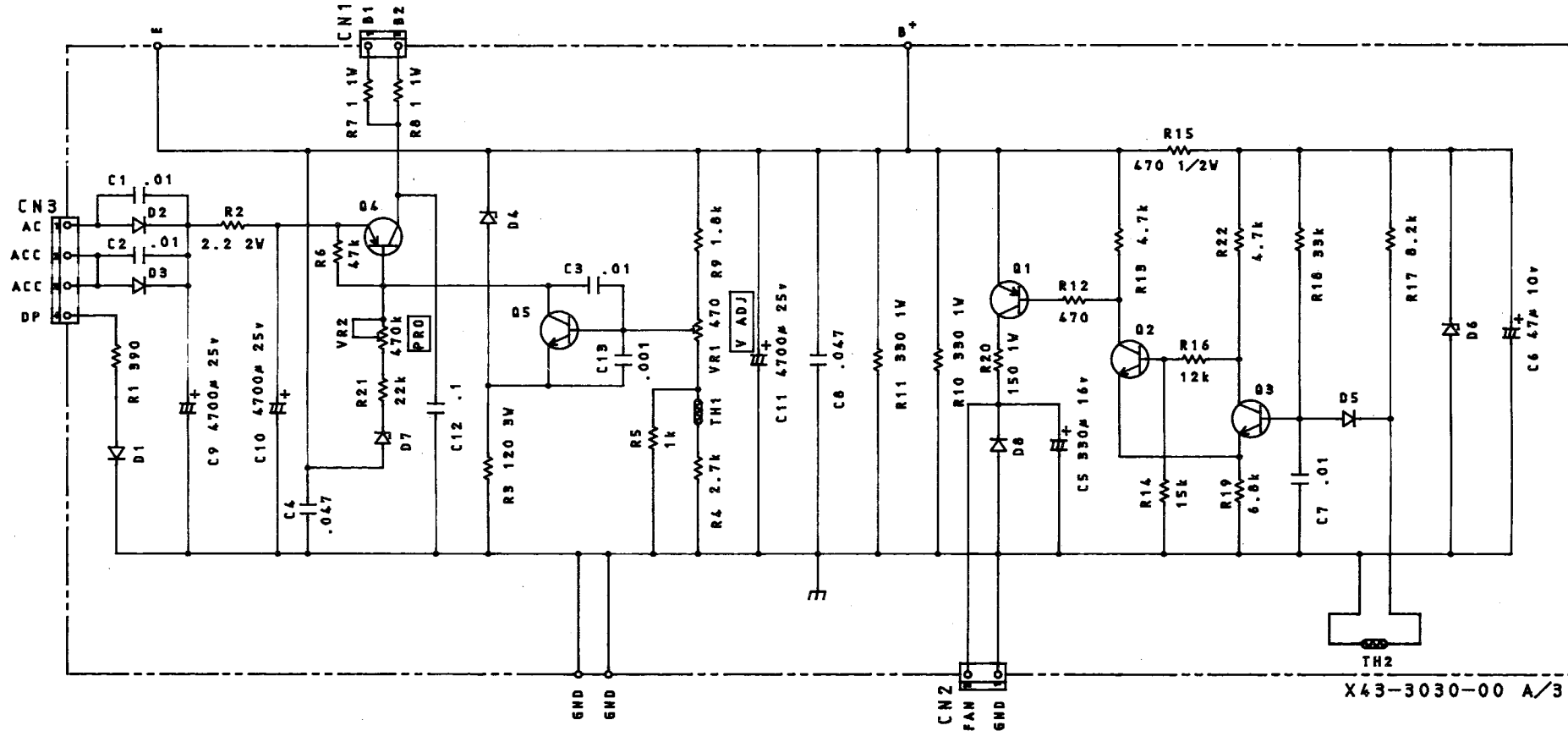
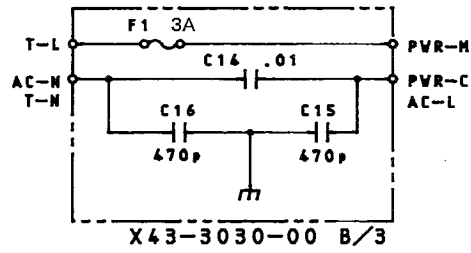
## ■ SCHEMATIC DIAGRAM

Q 1, Q 2 : 2N5885  
 D 1 : S25VB10  
 D 2 : TLR205



**Note:** \_\_\_\_\_  
 Circuit is subject to change without notice due to advancement in technology.

■ AVR UNIT (X43-3030-00)



- |                         |                |
|-------------------------|----------------|
| Q1: 2SA562 (Y)          | D4, 6: UZ9.18L |
| Q2, Q3, Q5: 2SC2458 (Y) | D7: UZ158H     |
| Q4: 2SB941 (Q)          | TH1: 32D27     |
| D1, 5, 8: 1S1555        | TH2: 5TP41L    |
| Q2, 3: 9SA8A1           |                |

Note: \_\_\_\_\_  
 Circuit is subject to change without notice due to advancement in technology.